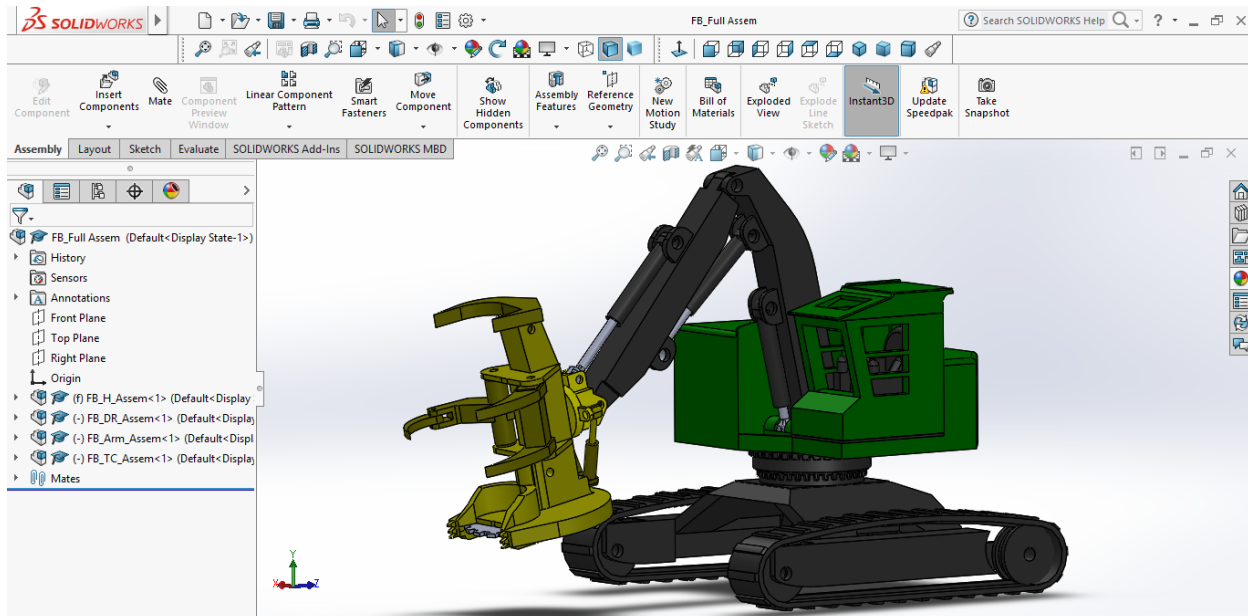
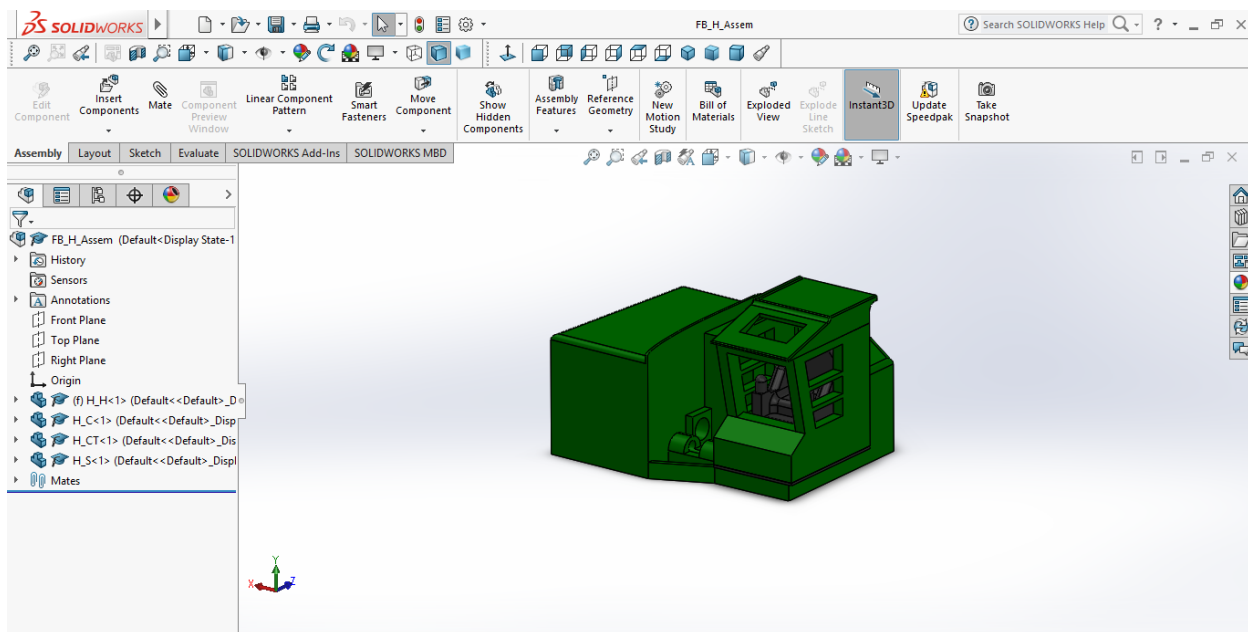


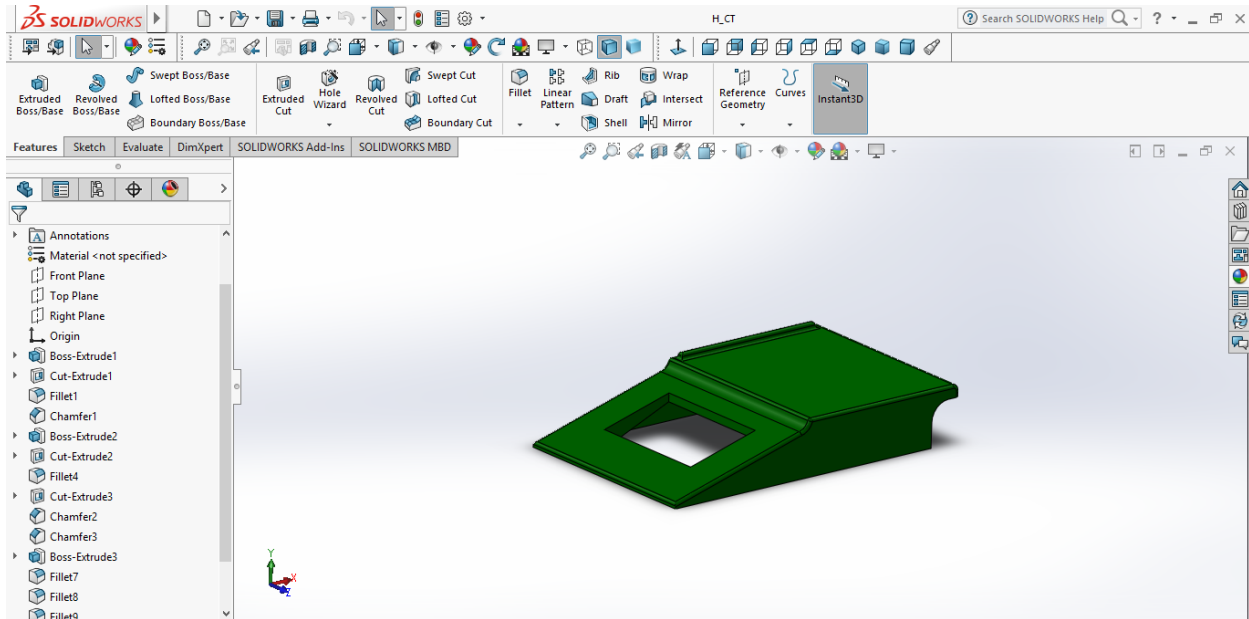
Feller-Buncher SolidWorks/3D Printing Project



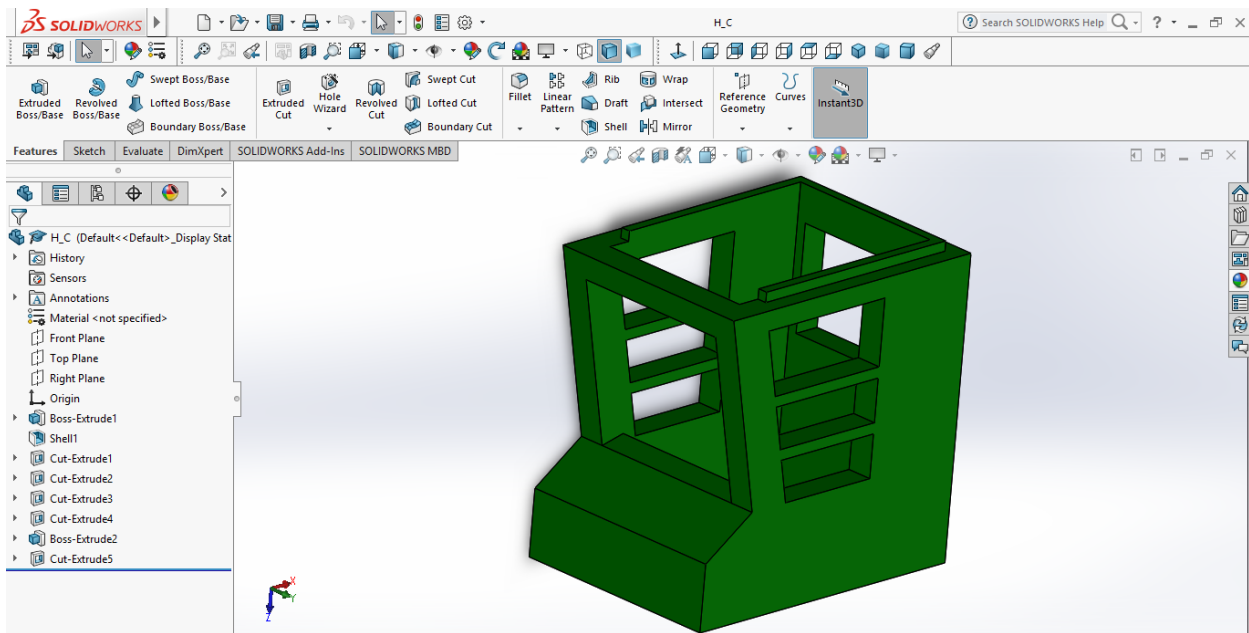
Project Assembly One: Cab, Seat & Engine Housing



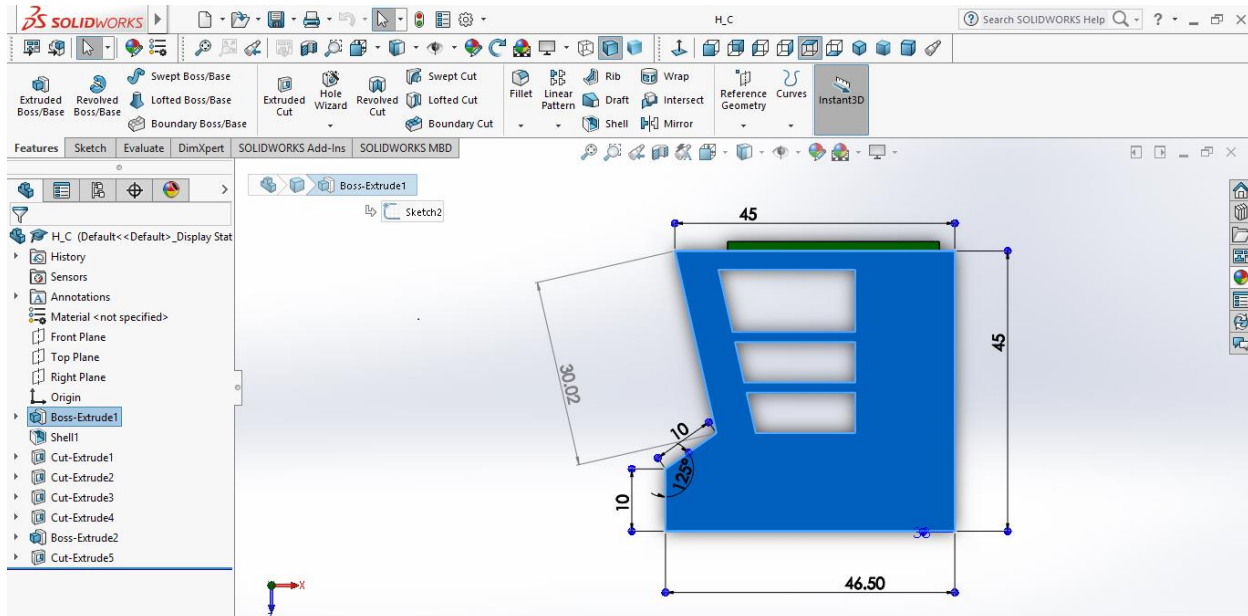
Part 1: The Cab Top



Part 2: The Cab

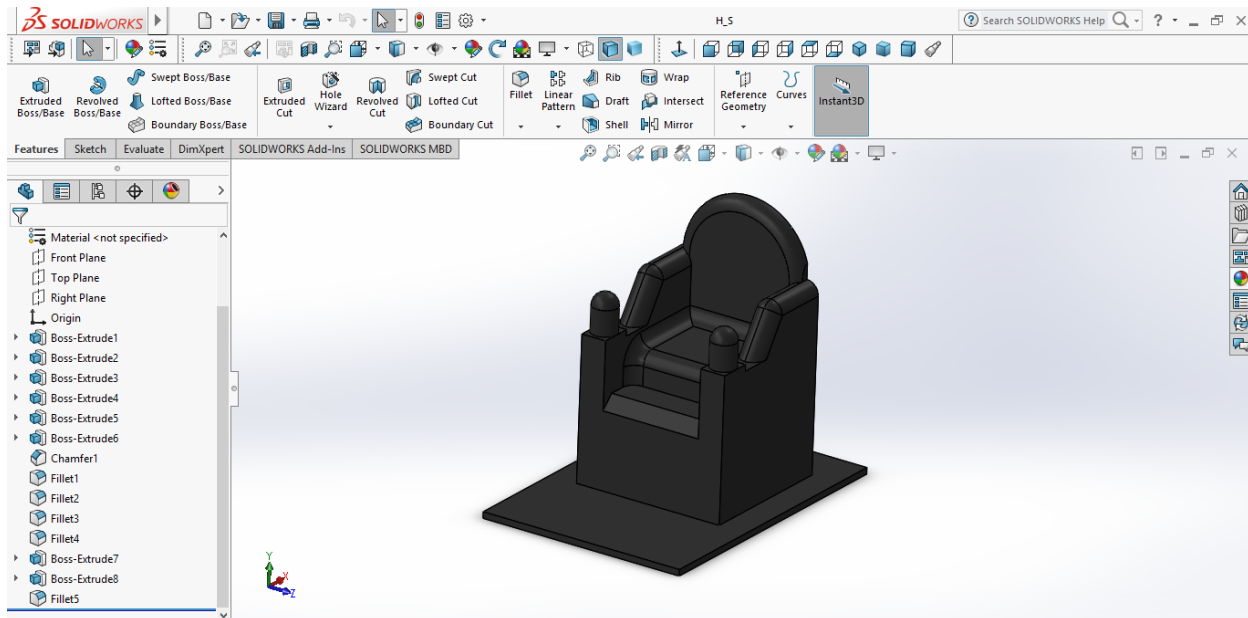


- The Cab will sit on the seats platform and enclose the seat.
- The bars on top will connect to the Cab Top finishing the Assembly.



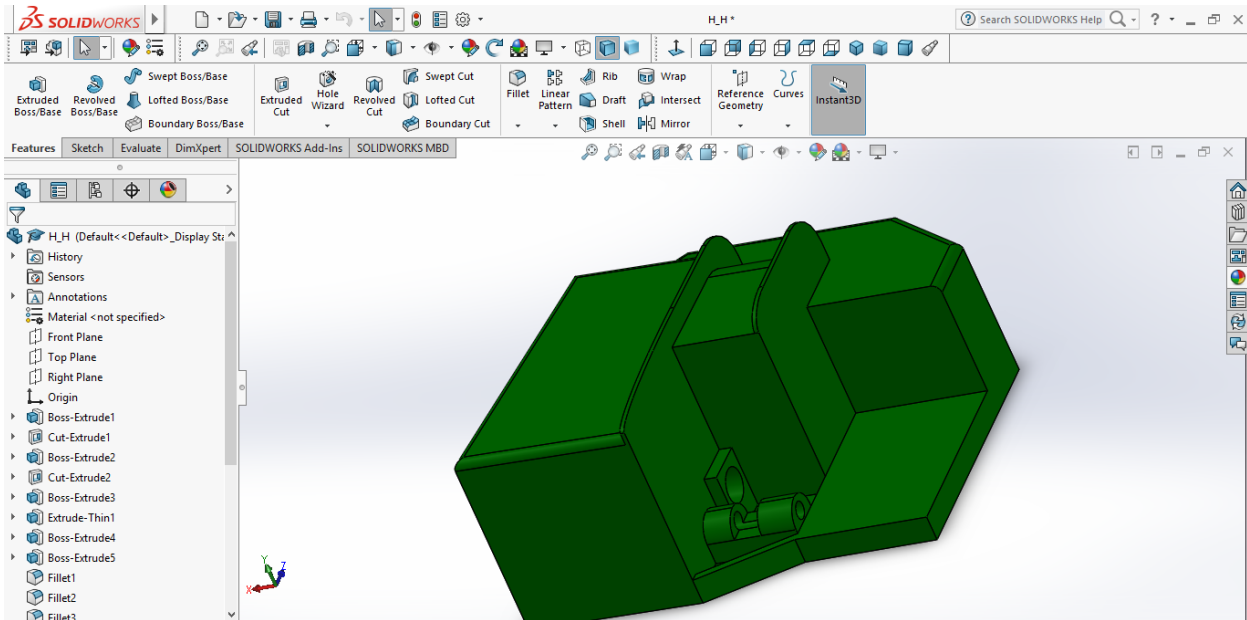
- Start with this side then extrude it out. Use shelling to hollow it out and then extrude cut the windows.

Part 3: The Seat

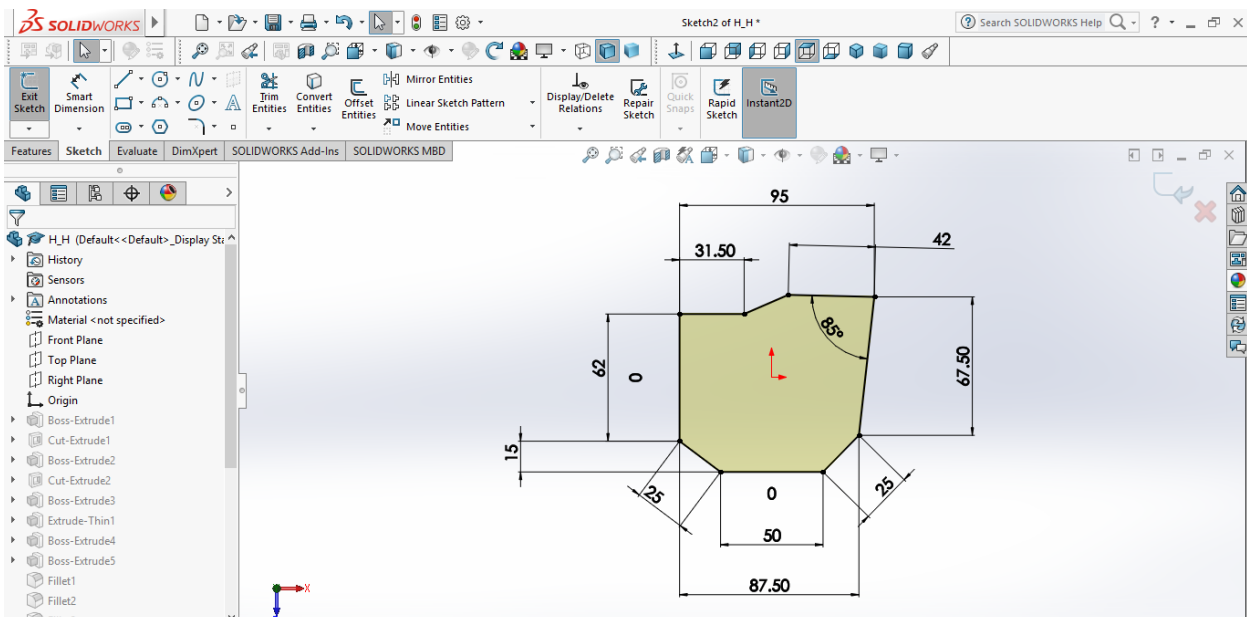


- The flat bed will connect to the Cab and the Engine Housing.

Part 4: The Engine Housing



-The Engine Housing connects to two assemblies (the arm and the drivetrain assemblies) making accuracy essential in the connectors.



-Start with the base and extrude from there to make the rest of the features.

The Housing Assembly

